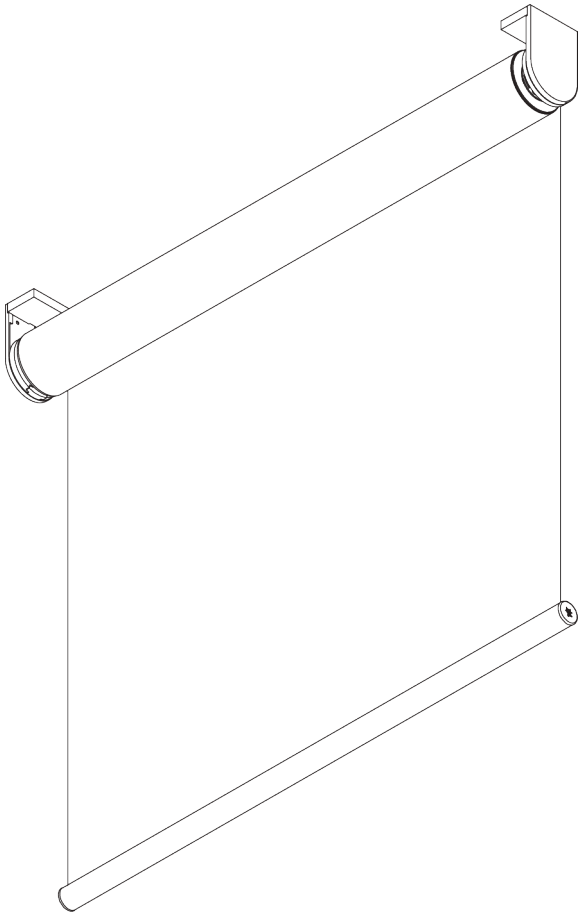
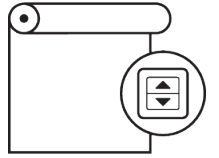


# SG 4970

---



## PRODUCT INFORMATION

- **Operation:** motorised
- **Range:** M - L
- **Fitting:** ceiling, wall, recess
- **Colours:** white RAL 9016, grey RAL 7035, black RAL 9005; special colours possible
- **Fabrics:** refer to Silent Gliss fabric collection

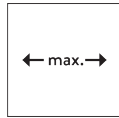
### **Features:**

- Quiet and fast motors
- Soft stop
- Various control options
- Two connected systems
- Click-in brackets, fascia, box, installation profile

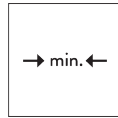
05/2024/V1

# SYSTEM SPECIFICATIONS

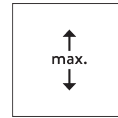
## A. SYSTEM DIMENSIONS



Single system: 3.4 m  
Double system: 6.8 m



65 cm\*  
\*see motor specification table



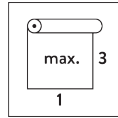
5 m



Single system: 17 m<sup>2</sup>  
Double system: 34 m<sup>2</sup>



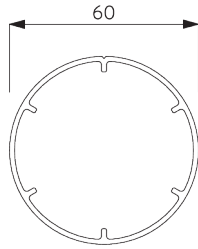
10 kg



Recommended width /  
height ratio  
max. 1:3

## B. PROFILE

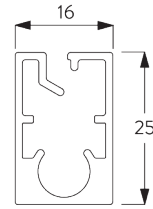
### Profile information



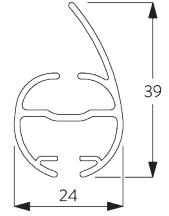
**SG 11037**  
Tube ø 60 mm



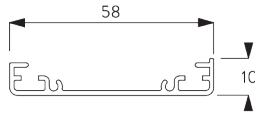
**SG 10760**  
Bottom bar



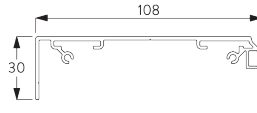
**SG 10770**  
Bottom bar



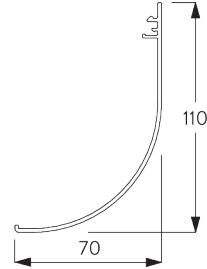
**SG 4903**  
Bottom bar



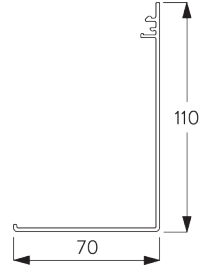
**SG 11181**  
Installation profile



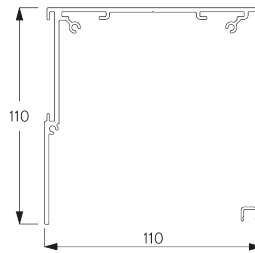
**SG 11530**  
Installation profile fascia 110 mm



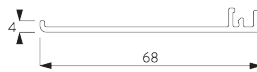
**SG 11531**  
Fascia round 110 mm



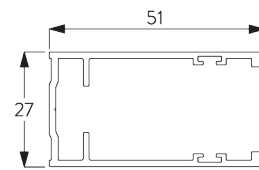
**SG 11532**  
Fascia square 110 mm



**SG 11533**  
Box case 110 mm



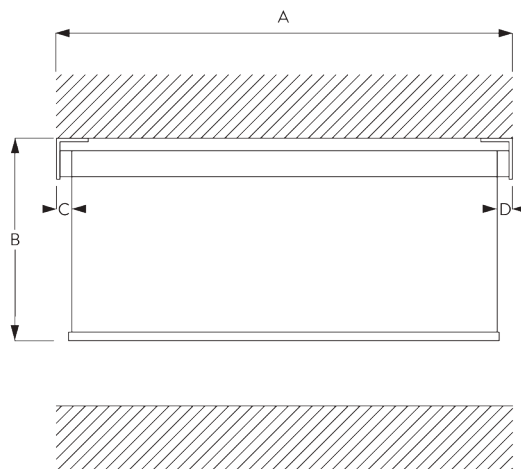
**SG 11534**  
Box cover 110 mm



**SG 11542**  
Side guide channel

## C. HOW TO MEASURE

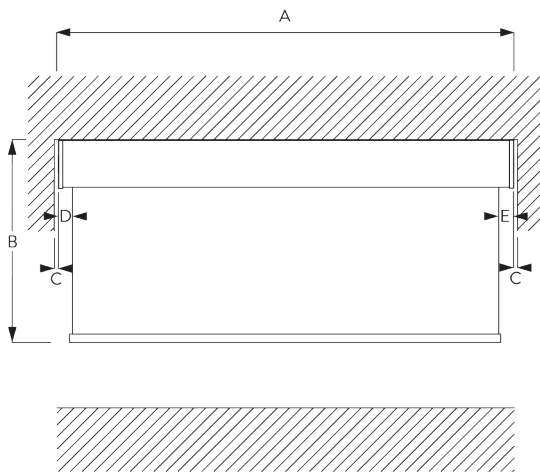
incl. bracket covers



A: System width  
B: System height  
C: Light gap: 18 mm  
D: Light gap operation side: 25 mm

Note:  
Different light gaps see motor specifications.  
All measurements include 2 mm for bracket cover per side!

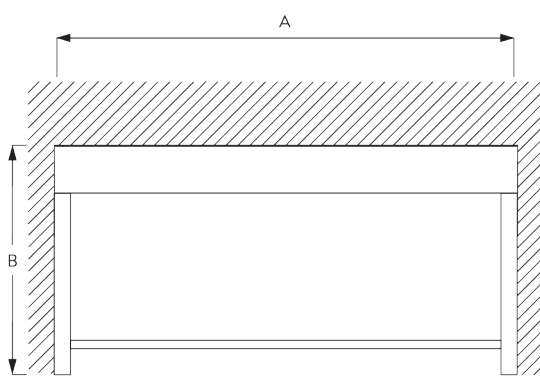
## Fascia / Box



- A: System width
- B: System height
- C: Gap: min. 10 mm (when cover is used)\*
- D: Light gap: 20 mm
- E: Light gap operation side: 27 mm

Note:  
Different light gaps see motor specifications.  
\*Possible to make Fascia wider than system to reduce gap between wall and system.

## Fascia / Box with Side Profiles SG 11542



- A: System width
- B: System height

## D. SPECIFICATION

### TEXT

**Silent Gliss SG 4970 Electrically Operated Roller Blind with SG Smart by Silent Gliss enabled motor.** Roller blind system for medium to large size blind applications up to 3.4m wide. Supplied made to measure and complete comprising anodised aluminium barrel SG 11037. Fixed to wall / ceiling / inside recess with brackets SG 11172 and bracket covers SG 11173. Brackets and hardware in white / grey / black finish. Assembled with powder coated white finish aluminium bottom weight bar SG 10760 as standard (other shape options available). Integral 230V 50 Hz powered motor SG 11251 left / right side. Operation only via Silent Gliss Smart Gateway and associated components in conjunction with compatible third-party control systems. All wiring to be strictly in accordance with Silent Gliss wiring diagrams. Fabric to be chosen from the Silent Gliss fabric range, Price Group 1R / 2R / 3R.

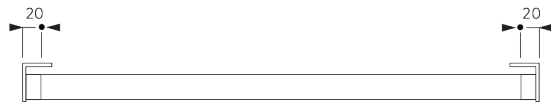
**Silent Gliss SG 4970 Electrically Operated Roller Blind System with Series 40 motor.** Roller blind system for heavy weight applications. Roller blind system for medium to large size blind applications up to 3.4m wide. Supplied made to measure and complete comprising anodised aluminium barrel SG 11037. Fixed to wall / ceiling / inside recess with brackets SG 11172 and bracket covers SG 11173. Brackets and hardware in white / grey / black finish. Assembled with powder coated white aluminium bottom weight bar SG 10760 as standard (other shape options available). Integral 24V DC (transformer not included) /100-240V AC 50/60Hz motor SG 11241 / SG 11244. Operation by dry contact switching either from fixed switch (not supplied) or third-party control system and/or SG Control L radio control system via integrated receiver. SG Control L components supplied at additional cost. All wiring to be strictly in accordance with Silent Gliss wiring diagrams. Fabric to be chosen from the Silent Gliss fabric range, Price Group 1R / 2R / 3R.

**Silent Gliss SG 4970 Electrically Operated Roller Blind System with Series 20 motor.** Roller blind system for medium to large size blind applications up to 3.4m wide. Supplied made to measure and complete comprising anodised aluminium barrel SG 11037. Fixed to wall / ceiling / inside recess with brackets SG 11172 and bracket covers SG 11173. Brackets and hardware in white / grey / black finish. Assembled with powder coated white aluminium bottom weight bar SG 10760 as standard (other shape options available). Integral 24V DC powered motor SG 10522 left / right side. Operation by mains switch (not supplied) or mains switching by third party control system or SG Control R remote control system, wireless controls at extra cost. All wiring to be strictly in accordance with Silent Gliss wiring diagrams. Fabric to be chosen from the Silent Gliss fabric range, Price Group 1R / 2R / 3R.

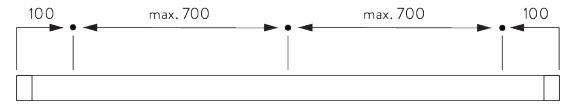
# FITTING

## A. FITTING INFORMATION

### Fixing points

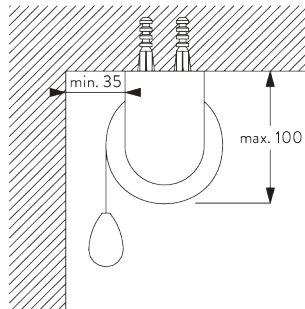


Brackets (wall / ceiling)

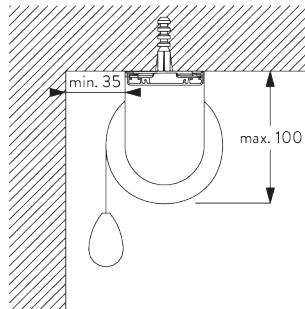


Fascia / box & installation profile SG 11181 (wall / ceiling)

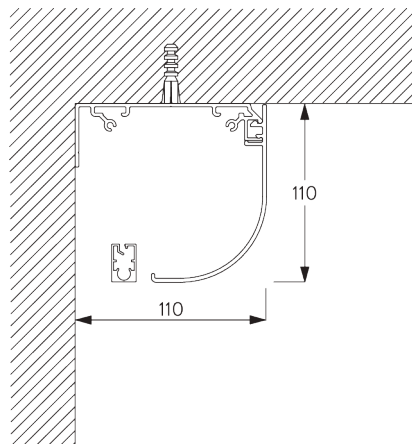
## B. CEILING FITTING



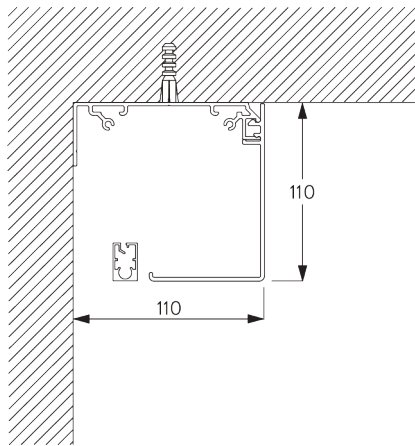
Brackets



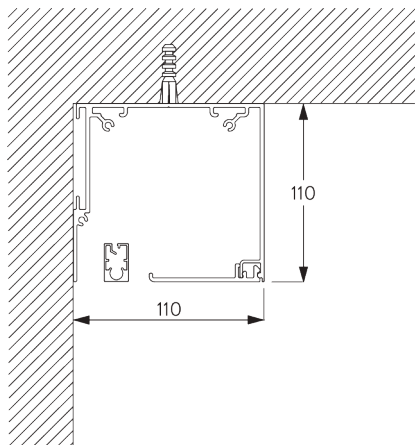
Installation profile SG 11181 and clamp SG 11180



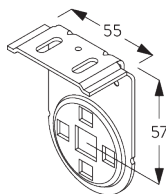
Fascia round



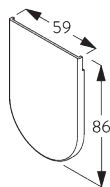
**Fascia square**



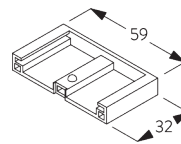
**Box**



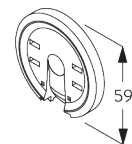
**SG 11172**  
Bracket



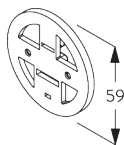
**SG 11173**  
Bracket cover



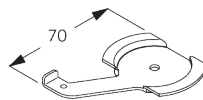
**SG 11174**  
Bracket cover



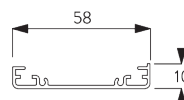
**SG 11175**  
Click flange



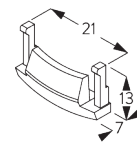
**SG 11177**  
Motor support



**SG 11180**  
Clamp

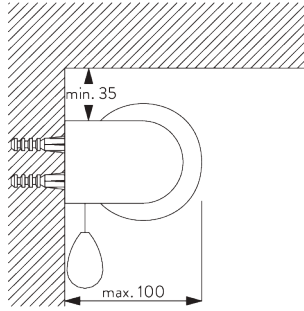


**SG 11181**  
Installation profile

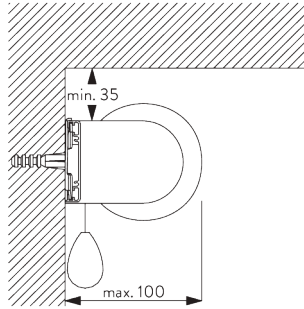


**SG 11179**  
Cover

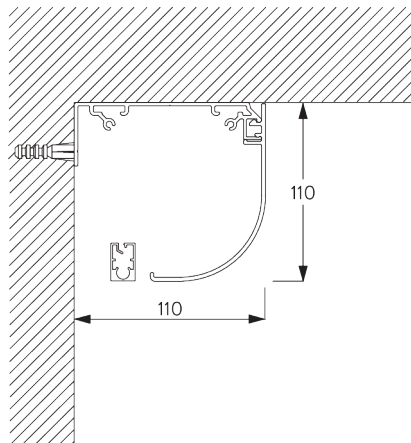
## C. WALL FITTING



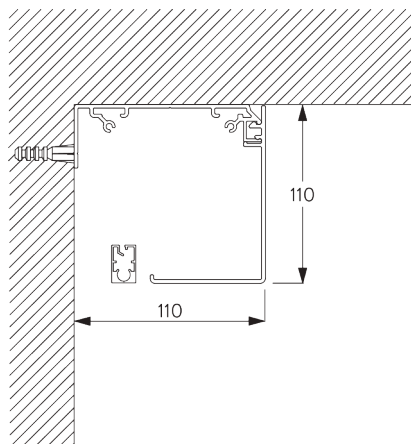
**Brackets**



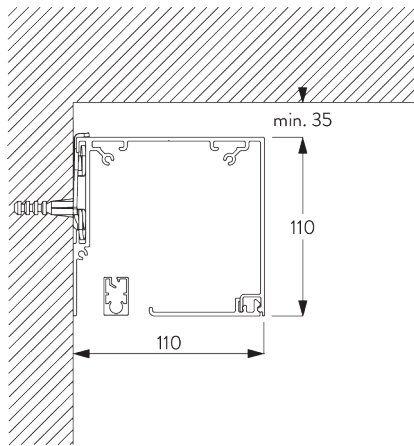
**Installation profile SG 11181 and clamp SG 11180**



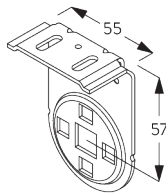
**Fascia round**



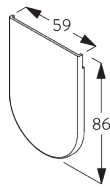
**Fascia square**



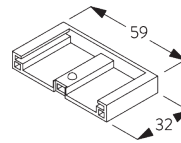
**Box and clamp SG 11180**



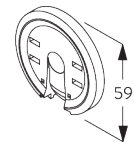
**SG 11172**  
Bracket



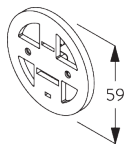
**SG 11173**  
Bracket cover



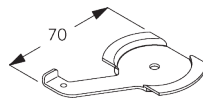
**SG 11174**  
Bracket cover



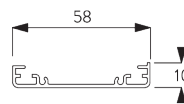
**SG 11175**  
Click flange



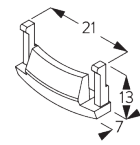
**SG 11177**  
Motor support



**SG 11180**  
Clamp

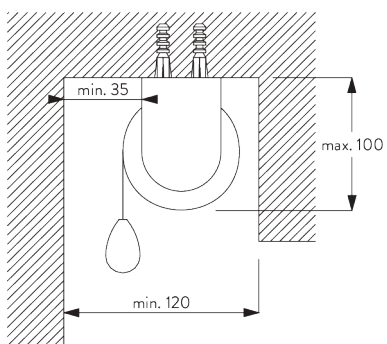


**SG 11181**  
Installation profile



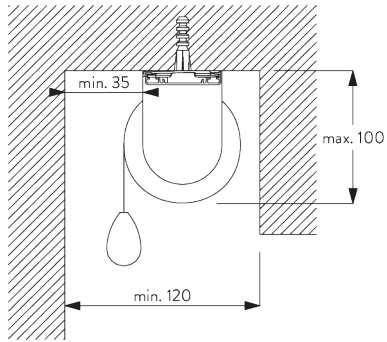
**SG 11179**  
Cover

## D. RECESS FITTING

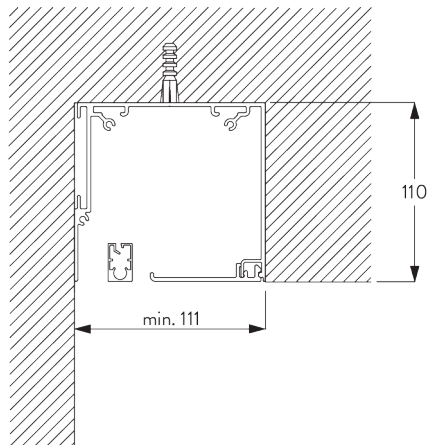


**Brackets**

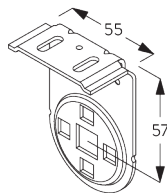




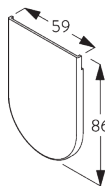
**Installation profile SG 11181 and clamp SG 11180**



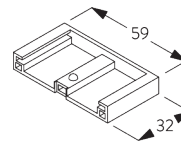
**Box**



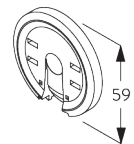
**SG 11172**  
Bracket



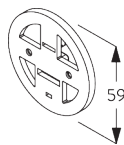
**SG 11173**  
Bracket cover



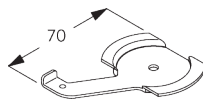
**SG 11174**  
Bracket cover



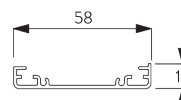
**SG 11175**  
Click flange



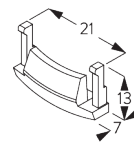
**SG 11177**  
Motor support



**SG 11180**  
Clamp

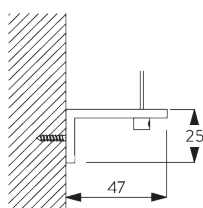


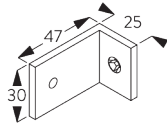
**SG 11181**  
Installation profile



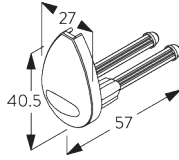
**SG 11179**  
Cover

**E. FITTING WITH  
SIDE GUIDE  
OPTION**

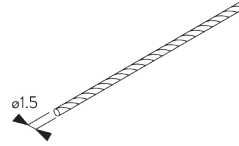




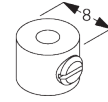
**SG 3036**  
Bracket 47 mm



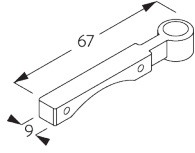
**SG 4944**  
Side guide end cover



**SG 4948**  
Side guide wire ø 1.5 mm



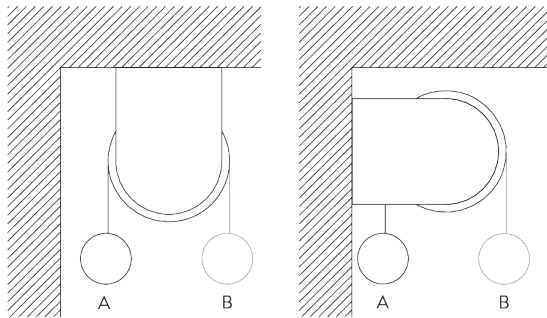
**SG 8249**  
Side guide device



**SG 1182**  
Side guide wire holder

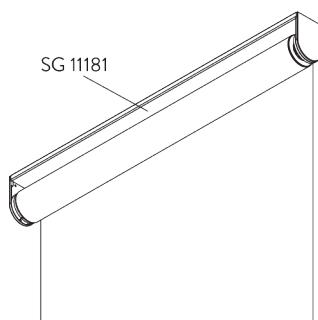
## SYSTEM OPTIONS

### A. FABRIC ROLL-OFF

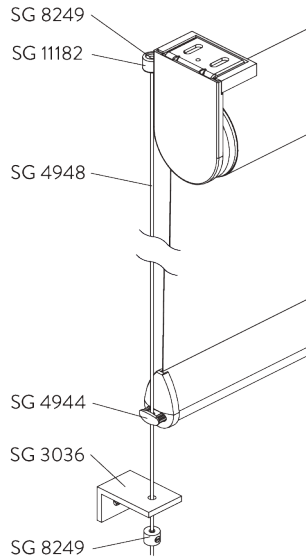


A: Fabric roll-off window side (standard)  
B: Fabric roll-off room side (option)

### B. INSTALLATION PROFILE



### C. SIDE GUIDES



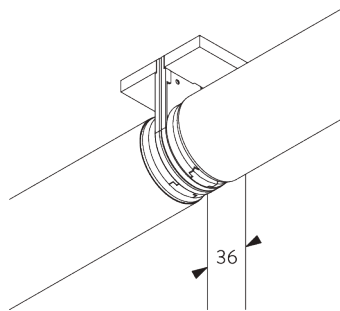
#### Additional parts:

- 2x SG 3036 Bracket
- 2x SG 4944 Side guide end cover
- 2x SG 4948 Side guide wire  $\varnothing$  1.5 mm
- 4x SG 8249 Side guide device
- 2x SG 11182 Side guide wire holder

#### Note:

- Light gaps increase when side-guide option is used
- Up to 15° from vertical
- Only applicable with bottom bar SG 4903

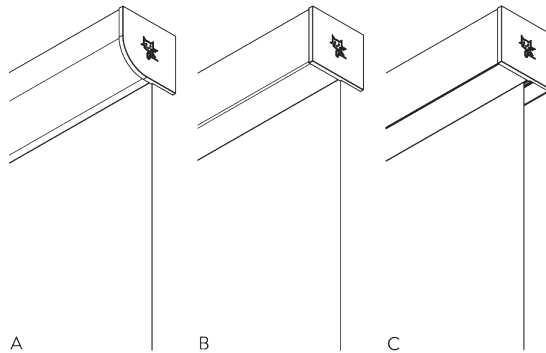
### D. TWO CONNECTED SYSTEMS



#### Additional parts:

- 1x SG 11175 Click flange
- 1x SG 11183 Connecting bolt
- 2x SG 11184 Connection bracket cover
- 1x SG 11195 Connection tube adapter

### E. FASCIA / BOX



A: Fascia round

B: Fascia square

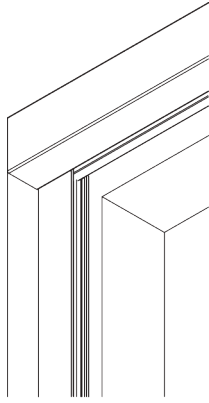
C: Box

#### Size

- 110 x 110 mm

#### Note:

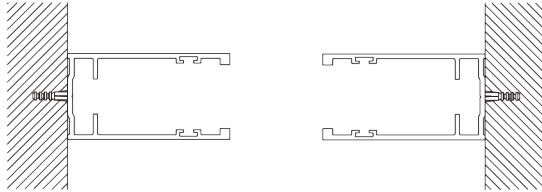
- Only applicable with bottom bar SG 10770
- Not possible with connected systems
- Two systems with one Fascia possible upon request



Optional side guide channels SG 11542 to be used with Fascia or Box.

Note:

- Only applicable with inside fitting
- Box: only recess fitting



# MOTORS & CONTROLS

## A. MOTOR FEATURES

	50-Series	40-Series	20-Series
Motors	SG 11251	SG 11241 SG 11244	SG 10422 SG 10522
<b>Motor Features</b>			
Soft stop	•	•	•
Electronic end-stop	•	•	•
Electronic revolution counter (unlimited revolution)	•	•	•
Mechanical end-stop			
Mechanical revolution counter (limited revolution)			
Two intermediate positions possible		•	
Bottom bar alignment	•	•	
Noiseless stop			•
Parallel wiring possible without additional relays		•	•
Disconnectable motor cable	•	•	•
IP class	IP 30	IP 30	IP 44
<b>Control Features</b>			
Mains power control			•
Dry contact control		•	
Dry contact and / or SG Control L control		•	
SG Control L (built-in receiver)		•	
SG Control R (external receiver required)			•
Smart by Silent Gliss	•		
Suitable for most major home automation systems (with suitable interface)		•	•

## B. MOTOR SPECIFICATIONS

Motors	Light gaps* C / D= driving side	Min. system width	Voltage	Current	Frequency	Speed	Frequency receiver
<b>50-Series (Smart by Silent Gliss)</b>							
SG 11251	C: 18 mm / D: 26 mm	65 cm	24 V DC	1.5 A	n/a	32 rpm	n/a
<b>40-Series</b>							
SG 11241	C: 18 mm / D: 26 mm	87 cm	100-240 V AC	0.6 A	50-60 Hz	32 rpm	868 MHz
SG 11244	C: 18 mm / D: 26 mm	65 cm	24 V DC	1.5 A	n/a	32 rpm	868 MHz
<b>20-Series</b>							
SG 10422	C: 18 mm / D: 25 mm	65 cm	120 V AC	1.1 A	50 Hz	36 rpm	n/a
SG 10522 (standard)	C: 18 mm / D: 25 mm	65 cm	230 V AC	0.55 A	50 Hz	30 rpm	n/a

\*Light gaps Fascia or Box: C +3 mm / D +2 mm (20-Series: C +2 mm / D +2 mm)

## C. OPERATING METHODS

See catalogue "controls" for details.

### Wall Switch



System can be operated by fixed wall switch.

### SG Control L



Various radio hand-held and wall transmitters available.



Silent Gliss Move App.

### SG Control R



Various radio hand-held and wall transmitters available.  
An external receiver is required.

### Smart by Silent Gliss



Open designed two-way communication system which allows to flawlessly integrate products with most major home control systems.

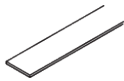
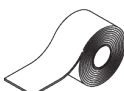
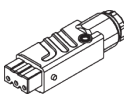




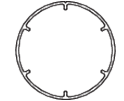
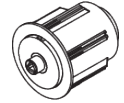


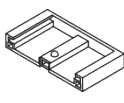


## D. WIRING DIAGRAMS


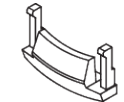




Refer to Silent Gliss website.

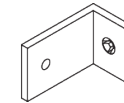
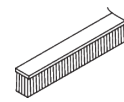

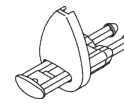

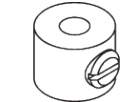
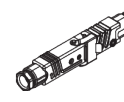
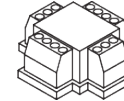
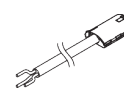
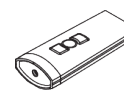
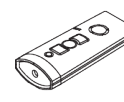
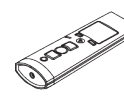

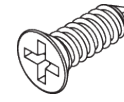
# PARTS

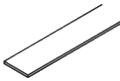
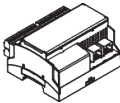


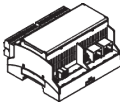


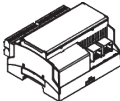


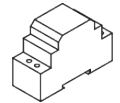


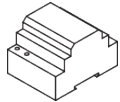


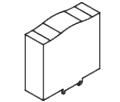
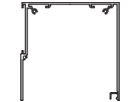

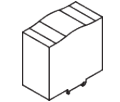

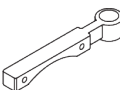


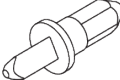
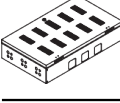
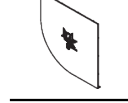

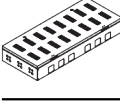
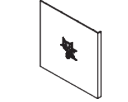
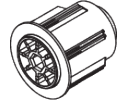
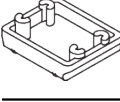
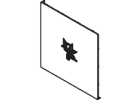

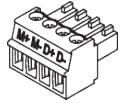
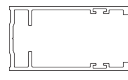



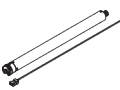


## A. STANDARD PARTS

	<b>SG 4223</b> PVC strip 14 mm
	<b>SG 4226</b> Double tape 30 mm
	<b>SG 9917</b> Hirschmann portable socket-outlet STAK 3 N
	<b>SG 10284</b> O-Ring
	<b>SG 10522</b> Motor 230V AC, 20-Series 3/30
	<b>SG 10760</b> Bottom bar
	<b>SG 10761</b> End cover
	<b>SG 11037</b> Tube ø 60 mm
	<b>SG 11165</b> Tube adapter
	<b>SG 11172</b> Bracket
	<b>SG 11173</b> Bracket cover
	<b>SG 11174</b> Bracket cover
	<b>SG 11175</b> Click flange
	<b>SG 11176</b> Tube adapter

	<b>SG 11177</b> Motor support
	<b>SG 11179</b> Cover
	<b>SG 11323</b> PT Screw Countersunk KA35x12 WN 1413
	<b>SG 11358</b> Motor drive 10/20-Series

## B. OPTIONAL PARTS

	<b>SG 3036</b> Bracket 47 mm
	<b>SG 4508</b> Brush 5x7 mm
	<b>SG 4903</b> Bottom bar
	<b>SG 4944</b> Side guide end cover
	<b>SG 4948</b> Side guide wire ø 1.5 mm
	<b>SG 8249</b> Side guide device
	<b>SG 9916</b> Hirschmann plug set
	<b>SG 9959</b> Central control unit relay
	<b>SG 10293</b> Cable 230V AC, 2/3/5/10 m
	<b>SG 10300</b> Radio hand held 1 channel
	<b>SG 10302</b> Radio hand held 5+1 channel
	<b>SG 10303</b> Radio hand held 10+2+1 channel
	<b>SG 10422</b> Tubular motor 120V AC, 20 Series 3/36, UL
	<b>SG 10498</b> Countersunk screw 2.9x9.5

	<b>SG 10668</b> PVC strip 10 mm		<b>SG 11260</b> Gateway Cedia		<b>SG 11480</b> Radio wall transmitter 1 channel
	<b>SG 10770</b> Bottom bar		<b>SG 11261</b> Gateway KNX		<b>SG 11490</b> Radio wall transmitter 5+1 channel
	<b>SG 10771</b> End cover		<b>SG 11262</b> Expansion unit		<b>SG 11530</b> Installation profile fascia 110 mm
	<b>SG 10804</b> Radio hand held 15+5+1 channel		<b>SG 11263</b> Power supply 24V DC, 2.5A DIN Rail		<b>SG 11531</b> Fascia round 110 mm
	<b>SG 11178</b> End cover		<b>SG 11264</b> Power supply 24V DC, 3.8A DIN Rail		<b>SG 11532</b> Fascia square 110 mm
	<b>SG 11180</b> Clamp		<b>SG 11265</b> Power supply 24V DC, 5A DIN Rail		<b>SG 11533</b> Box case 110 mm
	<b>SG 11181</b> Installation profile		<b>SG 11266</b> Power supply 24V DC, 10A DIN Rail		<b>SG 11534</b> Box cover 110 mm
	<b>SG 11182</b> Side guide wire holder		<b>SG 11281</b> Cabinet for 8 systems		<b>SG 11537</b> Bracket cover round left 110 mm
	<b>SG 11183</b> Connection bolt		<b>SG 11282</b> Cabinet for 24 systems		<b>SG 11538</b> Bracket cover round right 110 mm
	<b>SG 11184</b> Connection bracket cover		<b>SG 11283</b> Cabinet for 56 systems		<b>SG 11539</b> Bracket cover square left 110 mm
	<b>SG 11195</b> Connection tube adapter		<b>SG 11311</b> Bracket spacer		<b>SG 11540</b> Bracket cover square right 110 mm
	<b>SG 11241</b> Tubular motor 100-240V AC, 40-Series 3/32, radio receiver		<b>SG 11319</b> Plug 4-pin, MC 1.5/4-ST-3.81		<b>SG 11542</b> Side guide channel
	<b>SG 11244</b> Tubular motor 24V DC, 40 Series 3/32, radio receiver		<b>SG 11360</b> Motor drive 40/50-Series		<b>SG 11544</b> Bracket left 110 mm
	<b>SG 11251</b> Motor 24V DC, 50-Series 3/32		<b>SG 11460</b> Cover for Hirschmann plug		<b>SG 11545</b> Bracket right 110 mm

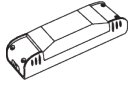


---

**SG 20336**

*Hand held transmitter 8 channel*

---



---

**SG 20907**

*Control module motor type R*

---



---

**SG 20913**

*Wall switch single channel*

---

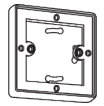


---

**SG 20914**

*Wall switch 8 channel*

---

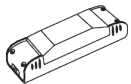


---

**SG 20917**

*Pattress box*

---

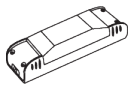


---

**SG 20918**

*Control module motor type A,AA*

---



---

**SG 20919**

*Control module motor type R*

---